



ir33

ir32/ir33 compatibility table

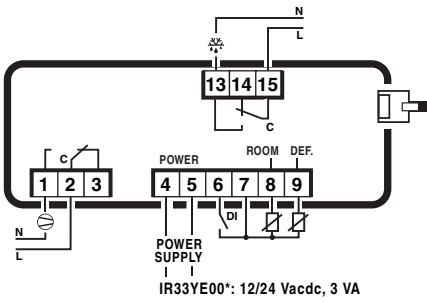
CAREL provides you a useful tool for assisting in the changeover from ir32 to **ir33**.

Inside you will find the wiring diagrams for the ir32 line, which can be matched to one or more versions of **ir33**, as well as the list of the ir32 codes with corresponding **ir33** versions.

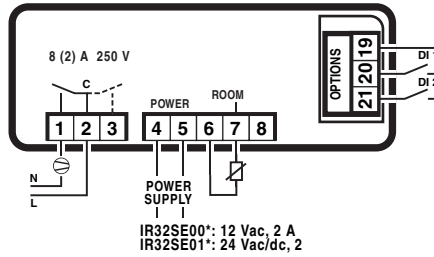
The new **ir33** is more versatile and powerful than its predecessor. The operating logic follows the same scheme, and the appearance is similar in many ways, however the functions have been upgraded. As a result, changing over from the old range to the new one is simple and convenient.

Most of the models are fitted with 16 A (3/4 Hp) relays for controlling compressors.

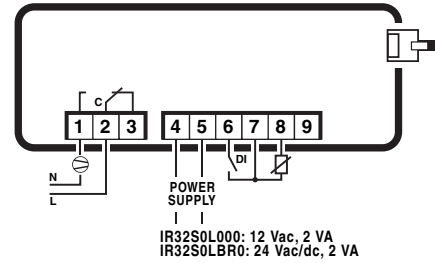
IR32Y0L000
IR32Y0LBR0



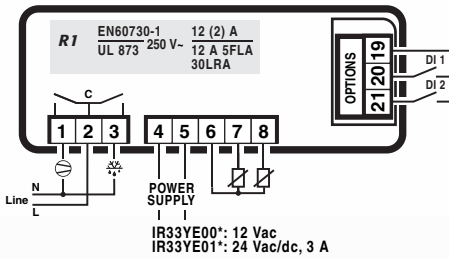
IR32SE000 **IR32SEM000** **IR32SEF100**
IR32SEA000 **IR32SE0100** **IR32SEG100**
IR32SEF000 **IR32SEA100** **IR32SEM100**
IR32SEG000



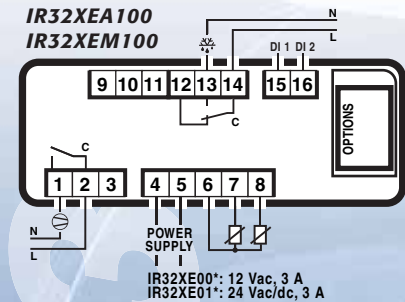
IR32S0L000
IR32S0LBR0



IR32YE0000 **IR32YE0100**
IR32YEA000 **IR32YEA100**
IR32YEM000 **IR32YEM100**



IR32XE0000 **IR32XEA000** **IR32XEM000**
IR32XE0100 **IR32XEA100** **IR32XEM100**

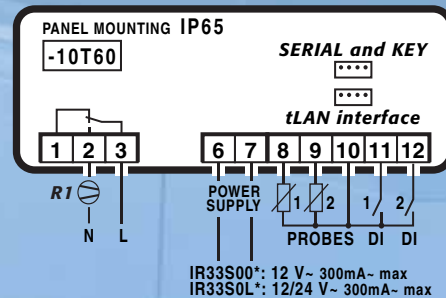
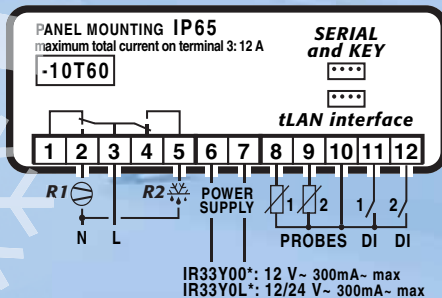


IR33Y00N00
IR33Y0LR00

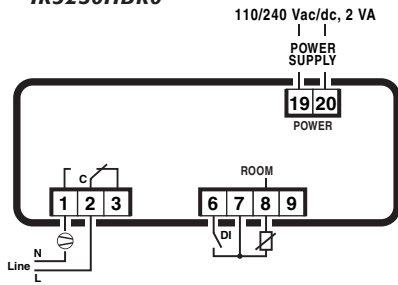
R1	R2
EN60730-1 UL 873 250 V-	12 (2) A 8 (4) A 12A 5FLA 8A 2FLA 30LRA 12LRA

IR33S00N00
IR33S0LR00
IR33S0LN00

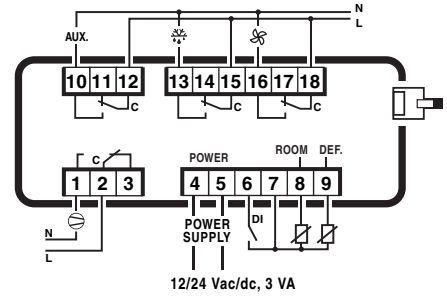
R1	12 (2) A 12 A 5FLA 30LRA
EN60730-1 UL 873 250 V-	



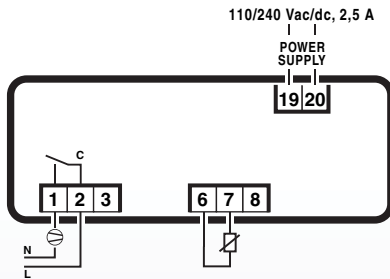
**IR32S0H000
IR32S0HBRO**



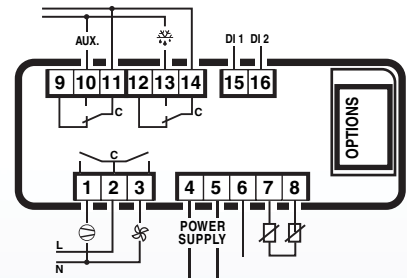
**IR32C0L000
IR32COLBRO**



**IR32SE0H00
IR32SEAH00**



**IR32CE0000 IR32CE0100
IR32CEA000 IR32CEA100
IR32CEM000 IR32CEM100**



EN60730-1
UL 873 250 V-

R1
12 (2) A
12A 5FLA
30LRA

R2
8 (4) A
8A 2FLA
12LRA

R3
8 (4) A
8A 2FLA
12LRA

R4
8 (4) A
8A 2FLA
12LRA

IR32C00*: 12 Vac, 3 VA
IR32C0L*: 24 Vac/dc, 3 VA

**IR33S0EN00
IR33S0ER00**

R1 EN60730-1 8 (4) A
UL 873 250 V- 8A 2FLA
12LRA

IR33S0EP00

R1 EN60730-1 12 (2) A
UL 873 250 V- 12A 5FLA
30LRA

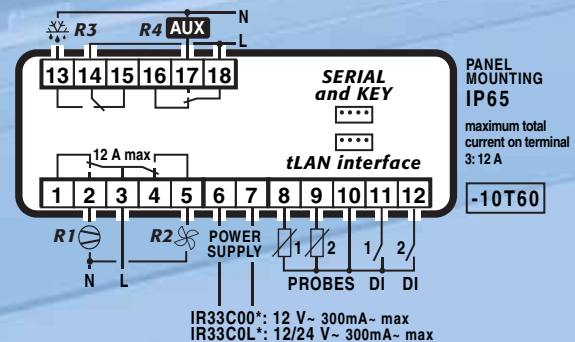
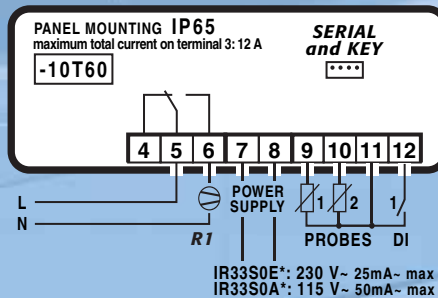
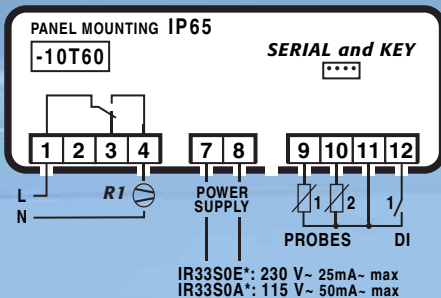
**IR33C00N00
IR33C00R00
IR33COLN00
IR33COLR00**

R1 EN60730-1 12 (2) A
UL 873 250 V- 12A 5FLA 30LRA

R2 8 (4) A
8A 2FLA 12LRA

R3 8 (4) A
8A 2FLA 12LRA

R4 8 (4) A
8A 2FLA 12LRA



code	power supply	n. relay	compr.	defrost	fan	aux	options					
							buzzer	alarm	IR recev.	RS485	2 dig. input / 2 probes	
IR32SE0000	12 Vac	1	8 A									
IR32SEM000	12 Vac	1	8 A								•	
IR33S00N00	12 Vac	1	16 A				•				◦	•
IR32SEA000	12 Vac	1	8 A				•			•		
IR32SEA100	24 Vac	1	8 A				•			•		
IR32S0LBRO	12 to 24 Vac/dc	1	8 A				•			•	◦	
IR33S0LR00	12 to 24 Vac/dc	1	16 A				•			•	◦	•
IR32SEF000	12 Vac	2	8 A						8 A			
IR32YE0000	12 Vac	2	8 A	8 A								
IR32YEM000	12 Vac	2	8 A	8 A							•	
IR32XE0000	12 Vac	2	8 A	8 A								•
IR32XEM000	12 Vac	2	8 A	8 A							•	•
IR33Y00N00	12 Vac	2	16 A	8 A (*)			•				◦	•
IR32SEG000	12 Vac	2	8 A						8 A	•		
IR32YEA000	12 Vac	2	8 A	8 A			•			•		
IR32XEA000	12 Vac	2	8 A	8 A			•			•		•
IR32SEF100	24 Vac/dc	2	8 A						8 A			
IR32SEG100	24 Vac/dc	2	8 A						8 A	•		
IR32YE0100	24 Vac/dc	2	8 A	8 A								
IR32YEA100	24 Vac/dc	2	8 A	8 A			•			•		
IR32YEM100	24 Vac/dc	2	8 A	8 A							•	
IR32XE0100	24 Vac/dc	2	8 A	8 A								•
IR32XEA100	24 Vac/dc	2	8 A	8 A			•			•		•
IR32XEM100	24 Vac/dc	2	8 A	8 A							•	•
IR32Y0L000	12 to 24 Vac/dc	2	8 A	8 A							◦	
IR32Y0LBRO	12 to 24 Vac/dc	2	8 A	8 A			•			•	◦	
IR33Y0LR00	12 Vac - 12 to 24 Vac/dc	2	16 A	8 A ()			•			•	◦	•
IR32CE0000	12 Vac	4	8 A	8 A	8 A	8 A						•
IR32CEM000	12 Vac	4	8 A	8 A	8 A	8 A					•	•
IR33C00N00	12 Vac	4	16 A	8 A	8 A	8 A	•				◦	•
IR32CEA000	12 Vac	4	8 A	8 A	8 A	8 A	•			•		•
IR33C00R00	12 Vac	4	16 A	8 A	8 A	8 A	•			•	◦	•
IR32SE0100	24 Vac	1	8 A									
IR32SEM100	24 Vac	1	8 A								•	
IR32S0L000	12 to 24 Vac/dc	1	8 A								◦	
IR33S0LN00	12 to 24 Vac/dc	1	16 A				•				◦	•
IR32CE0100	24 Vac	4	8 A	8 A	8 A	8 A						•
IR32CEM100	24 Vac	4	8 A	8 A	8 A	8 A					•	•
IR32C0L000	12 to 24 Vac/dc	4	8 A	8 A	8 A	8 A					◦	
IR33C0LN00	12 to 24 Vac/dc	4	16 A	8 A	8 A	8 A	•				◦	•
IR32CEA100	24 Vac	4	8 A	8 A	8 A	8 A	•			•		•
IR32C0LBRO	12 to 24 Vac/dc	4	8 A	8 A	8 A	8 A	•			•	◦	
IR33C0LR00	12 to 24 Vac/dc	4	16 A	8 A	8 A	8 A	•			•	◦	•
IR32SE0H00	110 or 230 Vac/dc	1	8 A									
IR32S0H000	110 or 240 Vac/dc	1	8 A									
IR33S0EN00	230 Vac	1	8 A				•				◦	
IR33S0EP00	230 Vac	1	16 A				•				◦	
IR33C0HR00	115 to 230 Vac	4	16 A	8 A	8 A	8 A	•			•	◦	•
IR33C7HR00	115 to 230 Vac	4	16 A	8 A	8 A	8 A	•			•	◦	•
(**)												
IR32SEAH00	110 or 230 Vac/dc	1	8 A				•			•		
IR32S0HBRO	110 or 240 Vac/dc	1	8 A				•			•	◦	
IR33S0ER00	230 Vac	1	8 A				•			•	◦	
IR33C0HR00	115 to 230 Vac	4	16 A	8 A	8 A	8 A	•			•	◦	•
IR33C7HR00	115 to 230 Vac	4	16 A	8 A	8 A	8 A	•			•	◦	•
(**)												

* It is possible to configure the second relay as auxiliary relay through the programming kit PSOPZPRG00
 • default ◦ options

** Models compatible with NTC or PTC probes